

1

2

3

4

5

6

RevNo

Revision note

Date

Signature

Checked

A

A

B

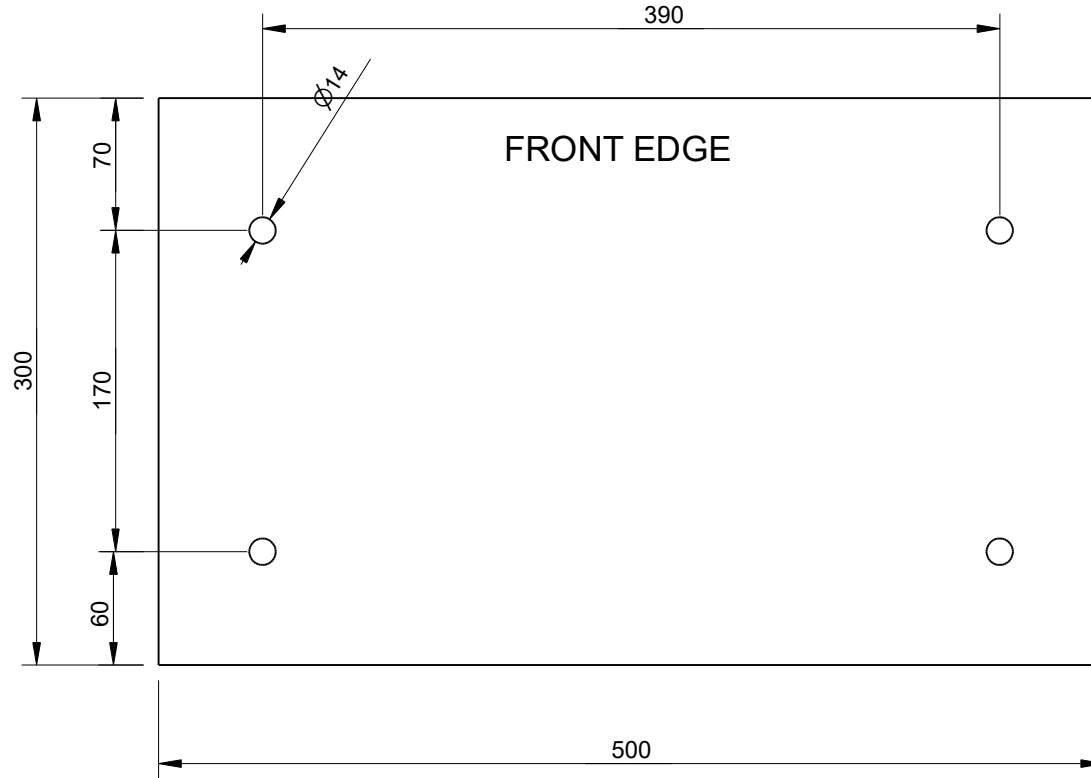
B

C

C

D

D



Itemref	Quantity	Title/Name, designation, material, dimension etc			Article No./Reference	
Drawn by NB		Checked by	Approved by - date	File name	Date 02/10/22	Scale 1:1
ARDEL SAFE CO				DC6 and 7 BASE		
						Edition

1

2

3

4

5

6