

COMMANDER STRONGROOM DOOR AND FRAME

TORCH AND DRILL RESISTING

 USA: UL TRTL-30 x 60  EU: ABIS GRADE 5



FOR THE
**SECURITY
CONSCIOUS**



 **MODEL
CRD4**



MADE IN AUSTRALIA



COMMANDER STRONGROOM DOOR AND FRAME

TORCH AND DRILL RESISTING



USA: UL TRTL-30 x 60



EU: ABIS GRADE 5

ALL CMI SAFES COME WITH A FIVE YEAR WARRANTY, EXCLUDING FREIGHT AND TRAVELLING, WITH A 24 MONTH WARRANTY ON LOCKS.

FEATURES

- Glass activated relocking devices are provided within the door as standard.
- Each lock can be used independently from the other.
- Any chosen electronic or duress alarm system can be added to the door if required.
- Overall door thickness of 180mm including a slab section of 100mm combining a lamination of alloy and refractory material to resist oxy acetylene and drill attack.
- Emergency internal release mechanism fitted as standard.
- **LOCKING** - Available in
 - Dial combination
 - Key locking
 - Digital

INSURANCE COVER

Risk rated at **\$250,000**

The COMMANDER door is designed to resist:

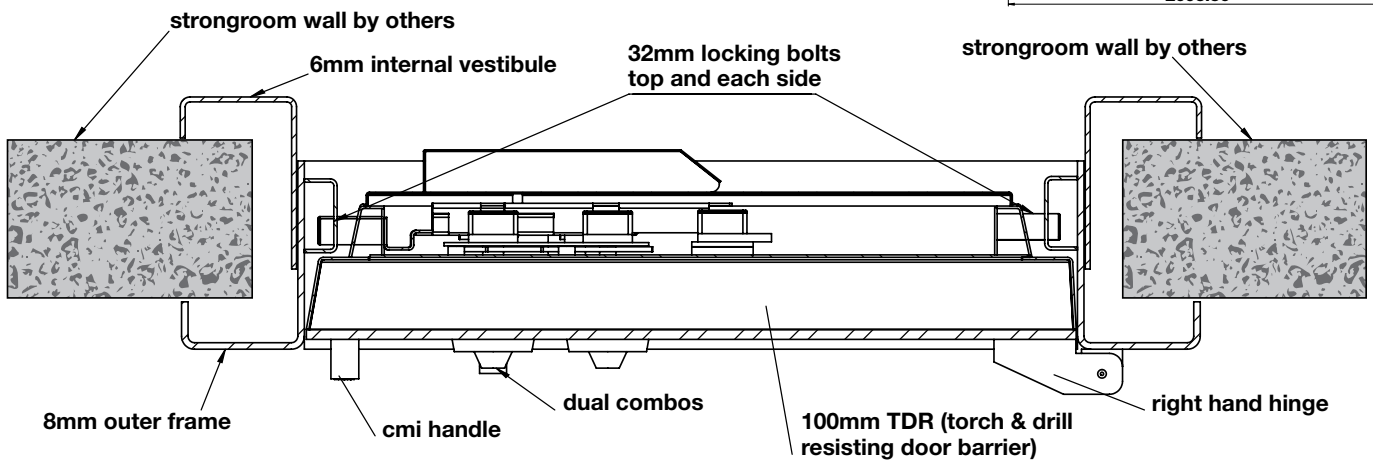
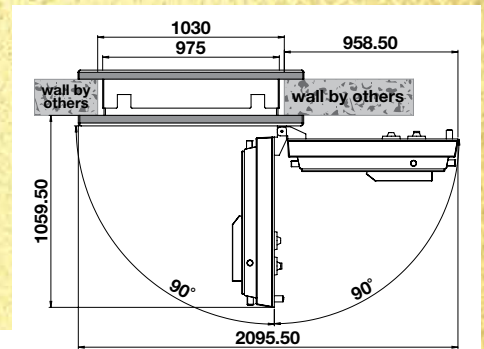
- **Oxy-Acetylene attack**
- **Drills and abrasive grinders**
- **Explosives and force**
- **Pneumatic and hydraulic tools**

RESISTANT TO

- PNEUMATIC TOOLS • HYDRAULIC TOOLS
- FORCE • EXPLOSIVES • OXY-ACETYLENE
- CUTTING INSTRUMENTS



COMMANDER STRONGROOM DOOR & FRAME DESIGNED TO BE FIRE RESISTING



MODEL	PRICE INCL. GST	CLEAR DOOR OPENING		CLEAR MASONRY OPENING REQUIRED		WEIGHT	DELIVERY & INSTALLATION LEVEL ACCESS INCL. GST
		HEIGHT	WIDTH	HEIGHT	WIDTH		
CRD4	\$	1980 mm	860 mm	2080 mm	1030 mm	1315kg	\$

WHEN ORDERING PLEASE STATE IF LEFT OR RIGHT HAND HINGING REQUIRED AND VAULT WALL THICKNESS.

AUTHORISED DEALER:



T: 1300 764 971
w: www.safeguardsafes.com.au
E: sales@safeguardgroup.com.au

MADE IN AUSTRALIA