

COMMERCIAL GRADE STRONGROOM DOOR & FRAME

FIRE, FORCE, DRILL AND EXLPOSIVE RESISTING



USA: UL TL-30



EU: ABIS GRADE 2



FOR THE
**SECURITY
CONSCIOUS**



■ MODEL CD4



MADE IN AUSTRALIA



COMMERCIAL GRADE STRONGROOM DOOR & FRAME



USA: UL TL-30




EU: ABIS GRADE 2

ALL CMI SAFES COME WITH A FIVE YEAR WARRANTY, EXCLUDING FREIGHT AND TRAVELLING, WITH A 24 MONTH WARRANTY ON LOCKS.



FEATURES

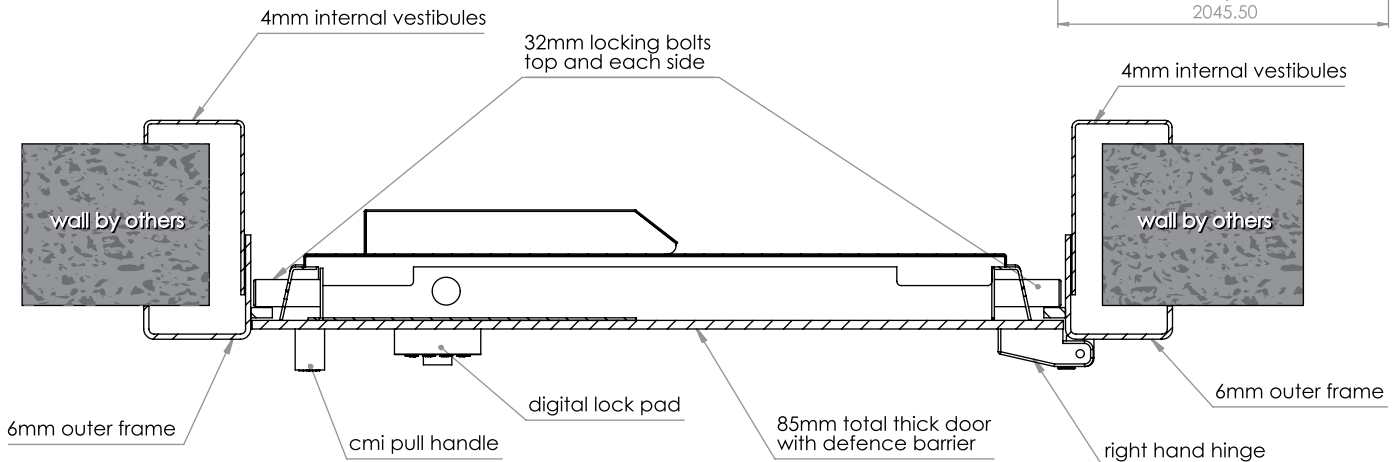
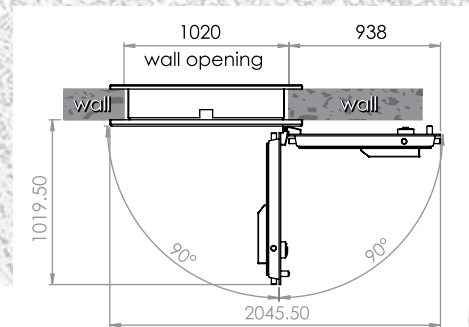
- **DOOR** - Total thickness 85mm. The "Security" door provides a 10mm steel front section supported by drill-resisting hardened plate over all vital lock areas with glass operated relocking devices.
- **BOLTWORK** - Heavy 32mm diameter bolts of high grade steel provide three-way locking behind the specially strengthened lock bar chamber sections at front and rear top edges of the door.
- **LOCKING** - Available in 
 - Digital (Standard)
 - Dial combination
 - Key locking
 - Dual locking

- **FRAME** - Heavy steel 6mm x 120mm wide frame with threshold plate at bottom.
- **HINGES** - Adjustable heavy duty with hardened pins on ball bearing axis (pre-lubricated).
- **FIRE RESISTING** - Fire pan fitted to rear of door with approved high fire resisting compound.
- Internal release mechanism standard.
- Door may be ordered with either left or right hand hinging.
- Door is manufactured to standard below size. Custom size available upon request.
- Digital combination, duress and time delay locks may be fitted as an optional extra.

RESISTING TO Fire • Force • Drills • Explosives



**COMMERCIAL GRADE
STRONGROOM DOOR AND
FRAME DESIGNED TO BE
FIRE RESISTING**



MODEL	PRICE INCL. GST	CLEAR DOOR OPENING AT 180°		CLEAR MASONRY OPENING REQUIRED		WEIGHT	DELIVERY & INSTALLATION LEVEL ACCESS INCL. GST
		HEIGHT	WIDTH	HEIGHT	WIDTH		
CD4	\$	1980 mm	860 mm	2060 mm	1020 mm	410kg	\$

WHEN ORDERING PLEASE STATE IF LEFT OR RIGHT HAND HINGING REQUIRED AND EXISTING WALL THICKNESS.

Supplied & Expertly installed by:



1300 764 971
www.safeguardsafes.com.au

MADE IN AUSTRALIA