

PREMIER STRONGROOM DOOR & FRAME

TDR - TORCH AND DRILL RESISTING



FOR THE
**SECURITY
CONSCIOUS**



REAR VIEW OF DOOR



■ MODEL PRD4



MADE IN AUSTRALIA



PREMIER STRONGROOM

DOOR & FRAME TDR - TORCH AND DRILL RESISTING

ALL CMI SAFES COME WITH A FIVE YEAR WARRANTY, EXCLUDING FREIGHT AND TRAVELLING, WITH A 24 MONTH WARRANTY ON LOCKS.

The CMI Premier Strongroom Door and Frame TDR suggested insurable cash rating in an unsupported (no alarms) domestic situation is \$100,000.

DOOR: Overall door thickness of 135mm including a slab section of 55mm combining a lamination of alloy and refractory material to resist oxy acetylene and drill attack.

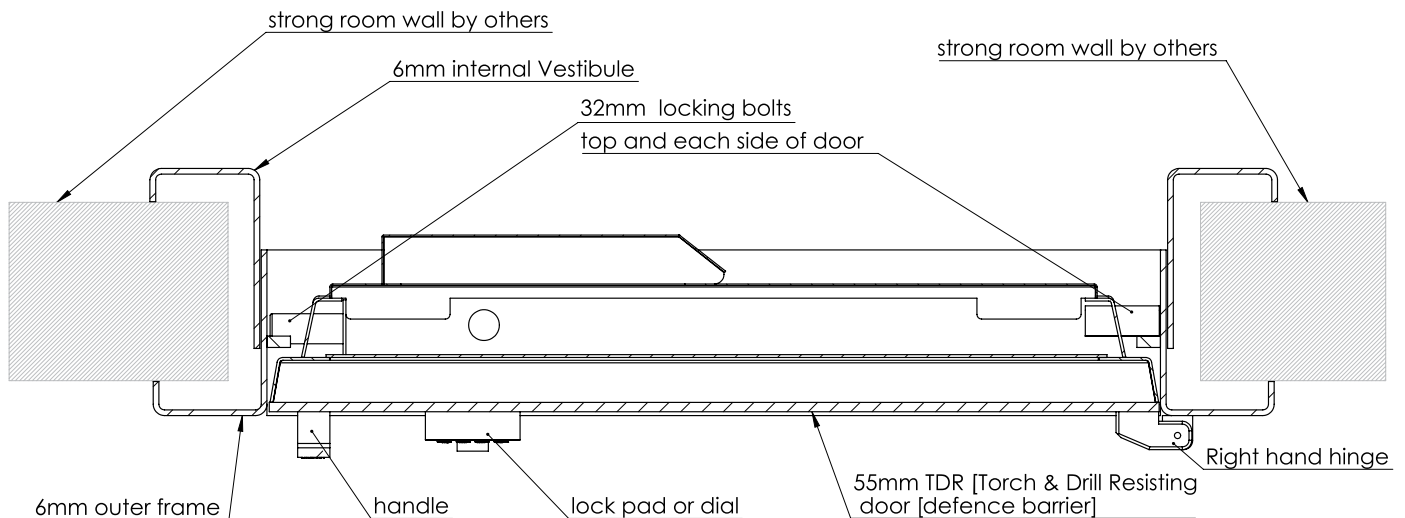
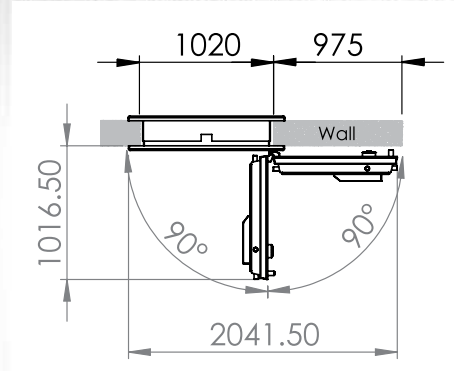
HINGING: Available in standard right hand or optional left hand hinging.

RE-LOCKER: Glass activated deadlocking re-locking devices are provided within the door as standard.

LOCKING:

- Available in
- Digital (Standard)
 - Key
 - Dial combination
 - Also available with dual locking if required.

SECURITY: Any chosen electronic or duress alarm system can be added to the door if required.



MODEL	PRICE INCL. GST	CLEAR DOOR OPENING AT 180°		CLEAR MASONRY OPENING REQUIRED		WEIGHT	DELIVERY & INSTALLATION LEVEL ACCESS INCL. GST
		HEIGHT	WIDTH	HEIGHT	WIDTH		
PRD4	\$	1980 mm	880 mm	2060 mm	1020 mm	680kg	\$

WHEN ORDERING PLEASE STATE IF LEFT OR RIGHT HAND HINGING REQUIRED AND VAULT WALL THICKNESS.

Supplied & Expertly installed by:



1300 764 971
www.safeguardsafes.com.au

MADE IN AUSTRALIA