



# STRONGROOM DOOR & FRAME



FOR THE  
**SECURITY  
CONSCIOUS**



**TDR**  
TORCH  
& DRILL  
RESISTING



■ MODEL G-CRD4A



# MADE IN AUSTRALIA



# STRONGROOM DOOR & FRAME

**ALL CMI SAFES COME WITH A FIVE YEAR WARRANTY, EXCLUDING FREIGHT AND TRAVELLING, WITH A 24 MONTH WARRANTY ON LOCKS.**

## FEATURES

- Dual doubled yoked KABA X10 locks.
- Overall door thickness of 180mm including a slab section of 55mm combining a lamination of alloy and refractory material to resist oxy acetylene and drill attack.
- Emergency internal release mechanism fitted as standard.
- Glass activated deadlocking relocking devices are provided within the door as standard.

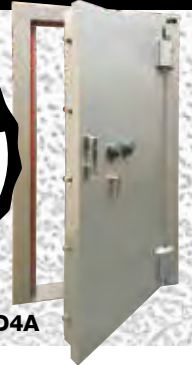
## RESISTING TO



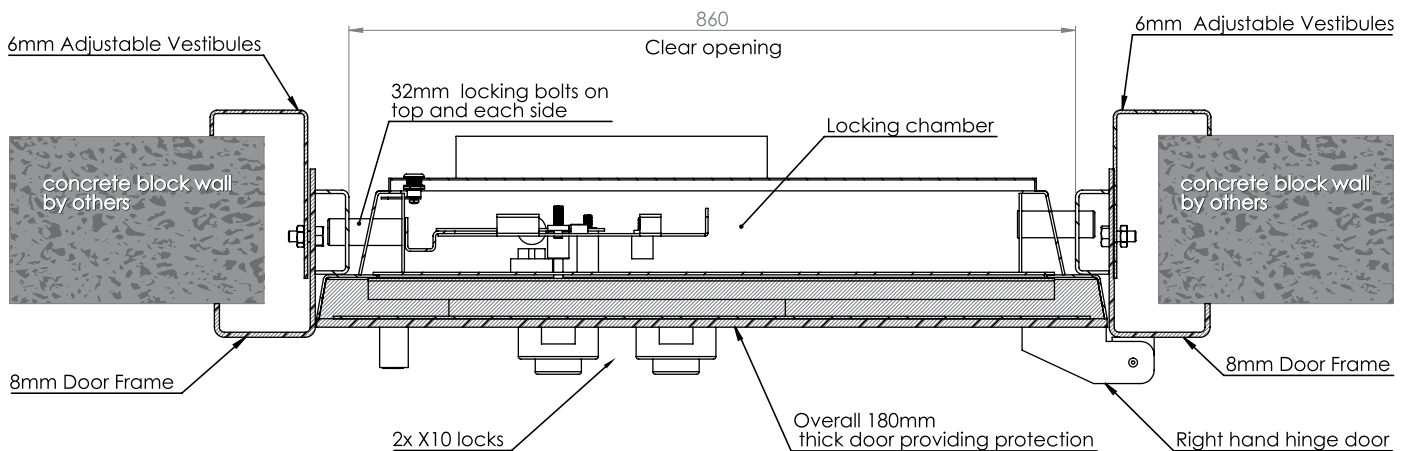
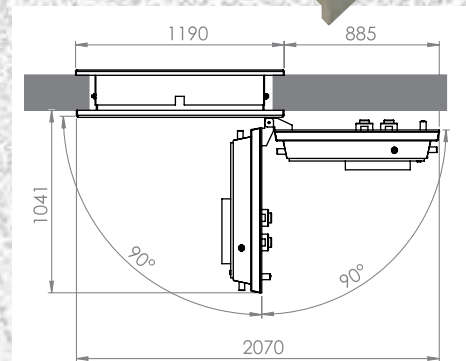
- **Oxy-Acetylene attack**
- **Explosives and force**
- **Drills and abrasive grinders**
- **Pneumatic tools**
- **Hydraulic tools**



**CLASS 'A' STRONGROOM DOOR AND FRAME DESIGNED TO BE FIRE RESISTING FOR ONE HOUR**



MODEL G-CRD4A



MODEL	PRICE INCL. GST	CLEAR DOOR OPENING		CLEAR MASONRY OPENING REQUIRED		WEIGHT	DELIVERY & INSTALLATION LEVEL ACCESS INCL. GST
		HEIGHT	WIDTH	HEIGHT	WIDTH		
<b>G-CRD4A</b>	<b>\$</b>	<b>1980 mm</b>	<b>860 mm</b>	<b>2060 mm</b>	<b>1030 mm</b>	<b>990kg</b>	<b>\$</b>

WHEN ORDERING PLEASE STATE IF LEFT OR RIGHT HAND HINGING REQUIRED AND EXISTING WALL THICKNESS.

Supplied & Expertly installed by:



1300 764 971  
www.safeguardsafes.com.au

**MADE IN AUSTRALIA**