



CERTIFIED PROTECTION
AGAINST THEFT AND
FIRE, IDEAL FOR SMALL
BUSINESSES AND
HOMES



MINI BANKER MK II

BURGLARY & FIRE-RESISTANT PROTECTION

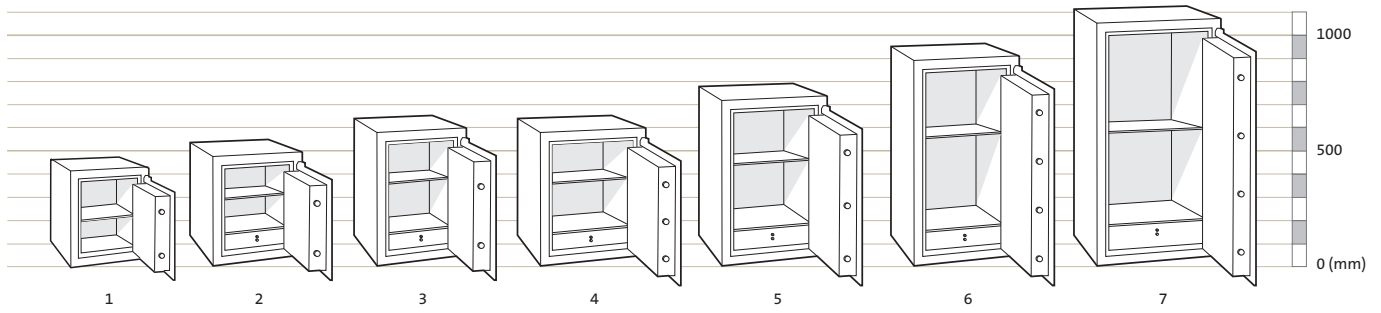


KEY FEATURES

- Body barrier thickness of 65mm; constructed from steel, welded throughout and filled with specially formulated Chubb Safes barrier material.
- A solid composite 35mm thick door is combined with additional protection plates for crucial locking areas.
- Solid steel moving bolts with a 28.5mm diameter affix the door to the body, while fixed “anti-heeling” bolts on both front and rear edges protect the door from prying attack.
- Glass relocker to ensure bolts to remain firmly in place should an attack on the lock occur (featured on model 2 and above).
- A Polyurethane base paint finish is used to coat the body and door. The paint is both scratch resistant and durable
- Tested in accordance with EN 14450 Level S2, certified by ECB•S.
- Fire Resistance tested in accordance to the Japanese Industrial Standard JIS S 1037 with fire resistance for up to 60 minutes.

MINI BANKER MK II

PRODUCT SPECIFICATIONS



Model	External Height (mm)	External Width (mm)	External Depth* (mm)	Internal Height (mm)	Internal Width (mm)	Internal Depth (mm)	Capacity (litres)	Net Weight** (kg)	No. of Shelves	No. of Drawers
1	410	360	386	280	230	205	13	104	1	0
2	488	435	461	358	305	280	31	157	1	1
3	590	435	461	460	305	280	39	180	1	1
4	590	550	576	460	420	395	76	257	1	1
5	717	550	576	587	420	395	97	293	1	1
6	894	550	576	764	420	395	127	347	1	1
7	1047	640	666	917	510	485	227	481	1	1

* Handle projection is 56mm. ** In line with certification, weights can vary by +/- 5%

LOCK OPTIONS

As the standard locking option, all models of Mini Banker Mk II are fitted with a key lock and a combination lock.

KEY LOCK

Secured by eight-lever double-bitted, non-key retaining key lock.

COMBINATION LOCK

Listed under UL Group 2, VdS class 2, CEN B, A2P B. Gain enhanced control via the Sargent & Greenleaf certified three-wheel combination lock.

ELECTRONIC LOCK

A variety of high security certified electronic locks can be fitted on request.

TESTING



BURGLARY

Certified by ECB•S in accordance with the European standard, EN 14450, for burglary protection in S2.



FIRE

Fire Resistance tested in accordance to the Japanese Industrial Standard JIS S 1037 with fire resistance for up to 60 minutes.

Authorised dealer



www.safeguardsafes.com.au

Tel: 1300 764 971

Email: sales@safeguardgroup.com.au