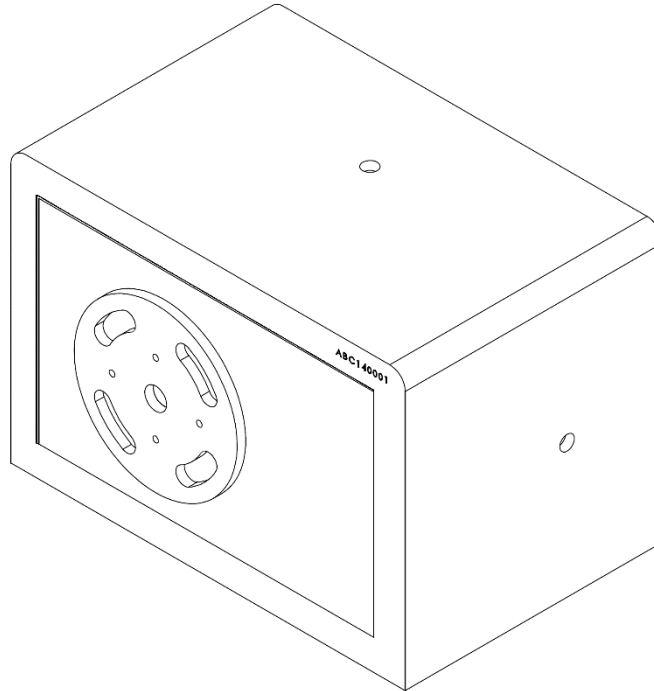


Class 'B' Plus Key Blister Security container



Size 1.

Class 'B' Plus Key Blister is a steel fabricated security container with heavy fully welded steel body comprising two sides, a back, a top and bottom and a hinge door with provision for SCEC endorsed lock.

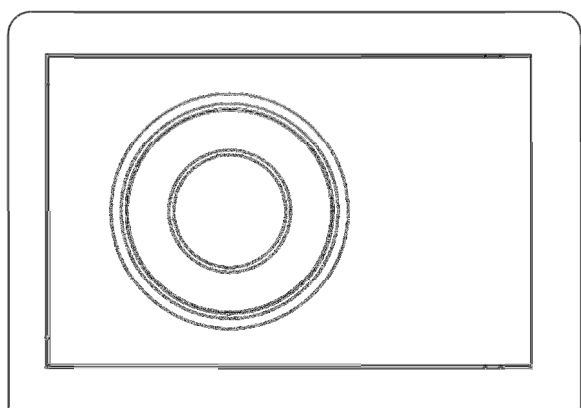
Features:

- Security containers comply to SCEC Specification
- Provision for SCEC approved locks (X10 Lock)
- Mounting holes
- Class 'B' Security Containers

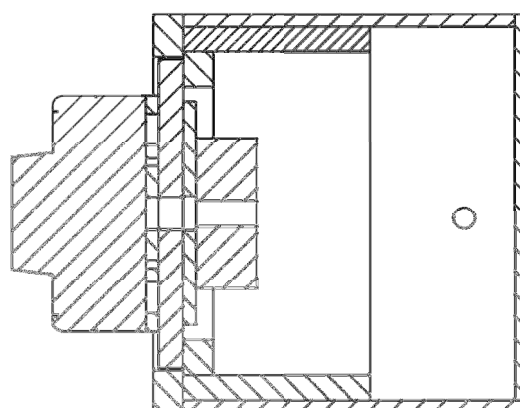
Model	External Dimensions (mm)			Internal Dimensions (mm)			Weight (kg)
	Height	Width	Depth	Height	Width	Depth	
Size 1	160	260	150	130	240	95	14

- All Dimensions above does not include locks. (Additional cost to include the X10 Lock)

Class 'B' Plus Key Blister Security container



Size 1. Front View



Size 1. Side View

Class 'B' Plus Key Blister is a steel fabricated security container with heavy fully welded steel body comprising two sides, a back, a top and bottom and a hinge door with provision for SCEC endorsed lock.

Model	External Dimensions (mm)			Internal Dimensions (mm)			Weight (kg)
	Height	Width	Depth	Height	Width	Depth	
Size 1	160	260	150	130	240	95	14

* Dimension does not include lock

Features:

- Security containers comply to SCEC Specification
- SCEC approved locks ready – Supply by others
- Mounting holes available – TBA by client
- Security containers with 2 different sizes